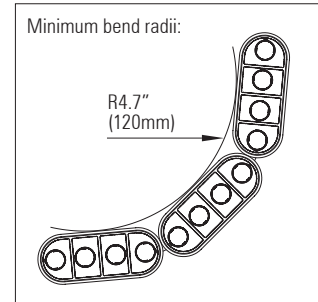
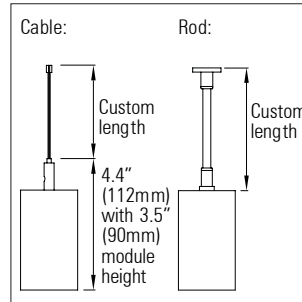
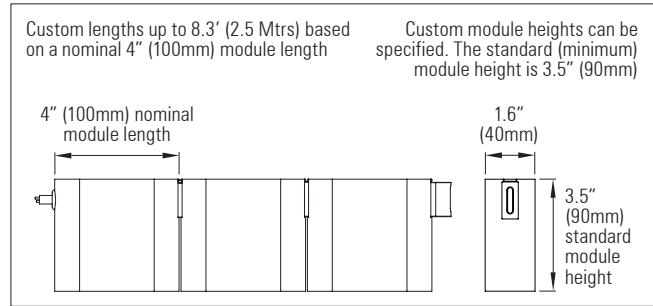


Centura 40 IP20 Class 2

Flexible modular LED pendant lighting system

Down light - 2 or 4 x high power LEDs with lenses per module

Up light - 1 x RGB, RGBW, RGBA array or white-light COB per every other module



Modular flexible LED pendant lighting system IP20 - Up and Down light

Product description:

Centura has an articulated linkage-joint system between modules allowing for flexibility along the major axis. This innovative modular design offers the flexibility to follow curved surfaces, encircle columns and domes, and to make irregular shaped pendants.

Down light - each module: 2 or 4 x Cree XPE, XPG LEDs or Osram Oslon LEDs with Ledil Tina2 or Heidi lenses. Up to 1,500 Lumens per ft (5,000 Lumens per Mtr)

Up light - every other module: 1 x white-light COB or 1 x array of Cree RGB, RBW or RGBA LEDs. Up to 750 Lumens per ft (2,500 Lumens per Mtr)

Up to 7.5 Watts per 4" (100mm) module

30 Volt - 48 Volt DC supply depending on application

Integral LV constant current drivers

Dimming options available: 1 - 10V, DMX and DALI

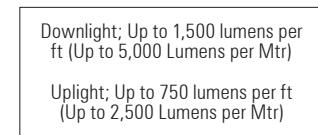
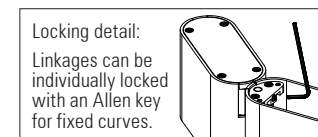
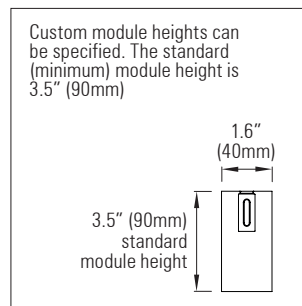
Various LED colour temperature and CRI options available

Body - Satin black, white or any RAL powder coat or anodized finish. Decorative anti-glare louvred snoots with custom powder coat or anodized finishes to order. The louvre finish can differ from the body finish

Custom lengths based on a 4" (100mm) module up to 8.3" (2.5 Mtrs)

Rod or cable suspension options. Custom solutions are also available

* For options with colour mixing lens, see data sheets for Centura 40 IP20 versions with 1x LED cluster array with 32mm ø colour-mixing lens per module



LED / lens matrix	CREE XP-E		CREE XP-G	
	Tina	Heidi	Tina	Heidi
Diffused spot (D)	12 °	9 °	17 °	12 °
Real spot (RS)	11 °	8 °	15 °	9 °
Medium (M)	31 °	28 °	30 °	28 °
Wide (W)	50 °	32 °	57 °	31 °
Wide (WW)	55 °	44 °	58 °	44 °
Wide (WWW)	57 °	N/A	60 °	N/A
Elliptical (O)	32+14 °	48+10 °	35+16 °	47+14 °

Product Code	No. of LEDs per foot	IP	Length (mm)	LED Type	CRI	Up & Down Colour Temp. (K)	Optics	Mounting Type	Cut angle(°)	Finish
RAD CENTURA 40 FLEXIBLE UP & DOWN IP20	Down light: 12 x LEDs per ft: 1" (25mm) pitch 6 x LEDs per ft: 2" (50mm) LED pitch Up light: 1 x COB/array every other module: 8" (200mm) LED pitch	20	4" (100mm) to 8.3' (2,500mm) Available in 4" (100mm) increments	Down light: Cree XP-E, XP-G, XQ-E, Osram Oslon Up light: Luminus array, Bridgelux COB	Down light: Cree:80, 90 Osram: 95 Up light: Luminus: 80, 90 Bridgelux: 80, 90	27=2,700k 30=3,000k 35=3,500k 40=4,000k 45=4,500k 50=5,000k * RGBW * RGBA * Dynamic white	Downlight: See LED / Lens matrix above Up light: 120° white reflector	Steel Cable Fixed rod	0° - 75° Available in 5 degree increments	Body: Any powder coat or anodized finish Louvre: Any powder coat or anodized finish